



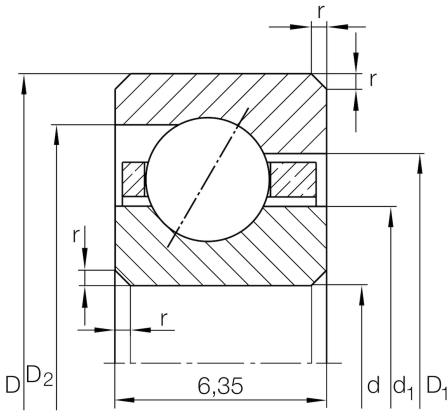
CSEA047

Angular contact ball bearing

Schaeffler Kimliği:
0027058340000

Angular contact ball bearing, Thin section
bearing CSEA, brass sheet metal cage

Teknik bilgiler



Dimensions

r_{\min}	0,6 mm	Minimum chamfer dimension
d_1	125,3 mm	Shoulder diameter inner ring
D_1	128,6 mm	Shoulder diameter on outer ring wide side face
D_2	129,9 mm	Shoulder diameter on outer ring small side face
α	30 °	Contact angle
	100 g	Ağırlık

Main Dimensions & Performance Data

d	120,65 mm	Bore diameter
d	4,75 inch	Bore diameter (Inch)
D	133,35 mm	Outside diameter
B	6,35 mm	Width
C_r	4.450 N	Basic dynamic load rating, radial
C_{0r}	7.100 N	Basic static load rating, radial
n_G	4.600 1/min	Limiting speed for oil lubrication

Temperature range

T_{\min}	-30 °C	Operating temperature min.
T_{\max}	120 °C	Operating temperature max.