



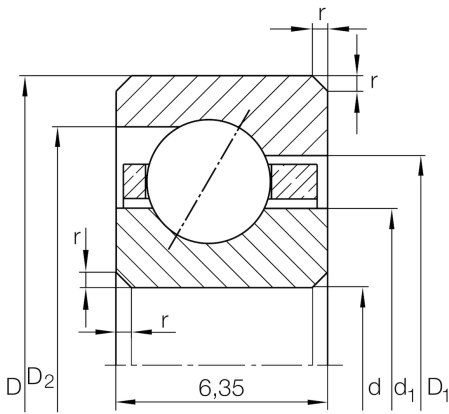
## CSEA050

Angular contact ball bearing

Schaeffler Kimliği:  
0054181350000

Angular contact ball bearing, Thin section  
bearing CSEA, brass sheet metal cage

### Teknik bilgiler



### Dimensions

|            |          |   |
|------------|----------|---|
| $r_{\min}$ | 0,6 mm   | Minimum chamfer dimension                       |
| $d_1$      | 131,7 mm | Shoulder diameter inner ring                    |
| $D_1$      | 135 mm   | Shoulder diameter on outer ring wide side face  |
| $D_2$      | 136,3 mm | Shoulder diameter on outer ring small side face |
| $\alpha$   | 30 °     | Contact angle                                   |
|            | 110 g    | Ağırlık   |

### Main Dimensions & Performance Data

|          |             |                                    |
|----------|-------------|------------------------------------|
| $d$      | 127 mm      | Bore diameter                      |
| $d$      | 5 inch      | Bore diameter (Inch)               |
| $D$      | 139,7 mm    | Outside diameter                   |
| $B$      | 6,35 mm     | Width                              |
| $C_r$    | 4.500 N     | Basic dynamic load rating, radial  |
| $C_{0r}$ | 7.500 N     | Basic static load rating, radial   |
| $n_G$    | 4.350 1/min | Limiting speed for oil lubrication |

### Temperature range

|            |        |                            |
|------------|--------|----------------------------|
| $T_{\min}$ | -30 °C | Operating temperature min. |
| $T_{\max}$ | 120 °C | Operating temperature max. |