



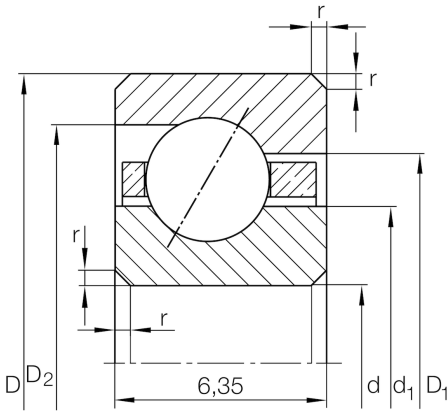
## CSEA060

Angular contact ball bearing

Schaeffler Kimliği:  
0032532790000

Angular contact ball bearing, Thin section  
bearing CSEA, brass sheet metal cage

### Teknik bilgiler



### Dimensions

$r_{\min}$	0,6 mm	Minimum chamfer dimension
$d_1$	157,1 mm	Shoulder diameter inner ring
$D_1$	160,4 mm	Shoulder diameter on outer ring wide side face
$D_2$	161,6 mm	Shoulder diameter on outer ring small side face
$\alpha$	30 °	Contact angle
	130 g	Ağırlık

### Main Dimensions & Performance Data

$d$	152,4 mm	Bore diameter
$d$	6 inch	Bore diameter (Inch)
$D$	165,1 mm	Outside diameter
$B$	6,35 mm	Width
$C_r$	4.800 N	Basic dynamic load rating, radial
$C_{0r}$	8.900 N	Basic static load rating, radial
$n_G$	3.650 1/min	Limiting speed for oil lubrication

### Temperature range

$T_{\min}$	-30 °C	Operating temperature min.
$T_{\max}$	120 °C	Operating temperature max.