



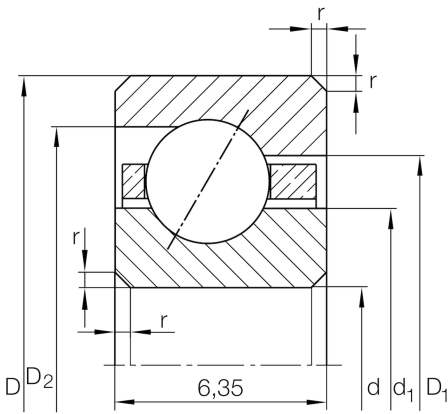
## CSEA065

Angular contact ball bearing

Schaeffler Kimliği:  
0092477770000

Angular contact ball bearing, Thin section  
bearing CSEA, brass sheet metal cage

### Teknik bilgiler



### Dimensions

$r_{min}$	0,6 mm	Minimum chamfer dimension
$d_1$	169,8 mm	Shoulder diameter inner ring
$D_1$	173,1 mm	Shoulder diameter on outer ring wide side face
$D_2$	174,3 mm	Shoulder diameter on outer ring small side face
$\alpha$	30 °	Contact angle
	140 g	Ağırlık

### Main Dimensions & Performance Data

$d$	165,1 mm	Bore diameter
$d$	6,5 inch	Bore diameter (Inch)
$D$	177,8 mm	Outside diameter
$B$	6,35 mm	Width
$C_r$	4.950 N	Basic dynamic load rating, radial
$C_{0r}$	9.600 N	Basic static load rating, radial
$n_G$	3.350 1/min	Limiting speed for oil lubrication

### Temperature range

$T_{min}$	-30 °C	Operating temperature min.
$T_{max}$	120 °C	Operating temperature max.