



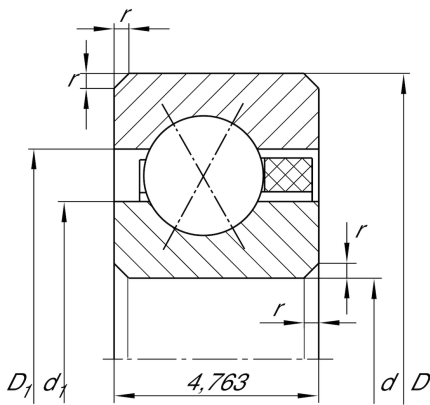
CSXAA010-TV

Four-point contact bearing

Schaeffler Kimliği:
0008220000000

Four point contact bearing, Thin section
bearing CSXAA..-TV, plastic cage

Teknik bilgiler



Dimensions

r_{min}	0,38 mm	Minimum chamfer dimension
d_1	29 mm	Shoulder diameter inner ring
D_1	31,4 mm	Shoulder diameter outer ring
α	30 °	Contact angle
	13,26 g	Ağırlık

Main Dimensions & Performance Data

d	25,4 mm	Bore diameter
d	1 inch	Bore diameter (Inch)
D	34,925 mm	Outside diameter
B	4,763 mm	Width
C_r	2.390 N	Basic dynamic load rating, radial
C_{0r}	1.900 N	Basic static load rating, radial
n_G	7.600 1/min	Limiting speed for grease lubrication
n_G	10.800 1/min	Limiting speed for oil lubrication

Temperature range

T_{min}	-30 °C	Operating temperature min.
T_{max}	120 °C	Operating temperature max.