



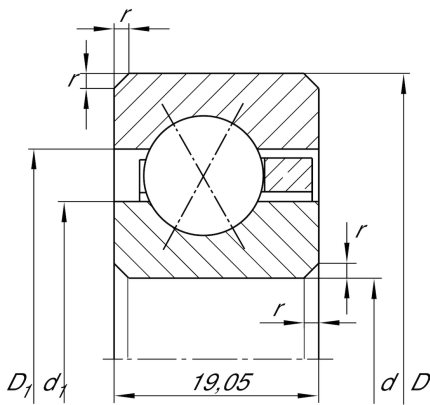
## CSXF050

### Four-point contact bearing

Schaeffler Kimliği:  
0093187800000

Four point contact bearing, Thin section  
bearing CSXF, brass sheet metal cage

### Teknik bilgiler



### Dimensions

$r_{min}$	2 mm	Minimum chamfer dimension
$d_1$	141,1 mm	Shoulder diameter inner ring
$D_1$	151 mm	Shoulder diameter outer ring
$\alpha$	30 °	Contact angle
	1,04 kg	Ağırlık

### Main Dimensions & Performance Data

$d$	127 mm	Bore diameter
$d$	5 inch	Bore diameter (Inch)
$D$	165,1 mm	Outside diameter
$B$	19,05 mm	Width
$C_r$	34.000 N	Basic dynamic load rating, radial
$C_{0r}$	43.500 N	Basic static load rating, radial
$n_G$	1.510 1/min	Limiting speed for grease lubrication
$n_G$	2.160 1/min	Limiting speed for oil lubrication

### Temperature range

$T_{min}$	-30 °C	Operating temperature min.
$T_{max}$	120 °C	Operating temperature max.