



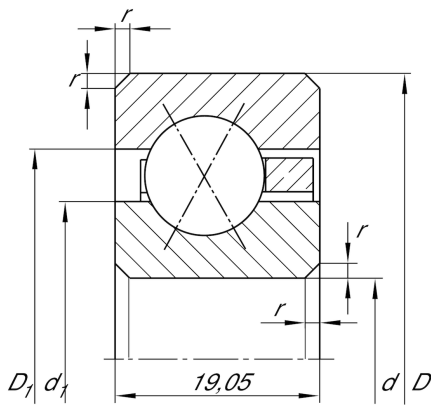
CSXF055

Four-point contact bearing

Schaeffler Kimliği:
0056869540000

Four point contact bearing, Thin section
bearing CSXF, brass sheet metal cage

Teknik bilgiler



Dimensions

r_{min}	2 mm	Minimum chamfer dimension
d_1	153,8 mm	Shoulder diameter inner ring
D_1	163,7 mm	Shoulder diameter outer ring
α	30 °	Contact angle
	1,13 kg	Ağırlık

Main Dimensions & Performance Data

d	139,7 mm	Bore diameter
d	5.5 inch	Bore diameter (Inch)
D	177,8 mm	Outside diameter
B	19,05 mm	Width
C_r	35.000 N	Basic dynamic load rating, radial
C_{0r}	47.500 N	Basic static load rating, radial
n_G	1.370 1/min	Limiting speed for grease lubrication
n_G	1.960 1/min	Limiting speed for oil lubrication

Temperature range

T_{min}	-30 °C	Operating temperature min.
T_{max}	120 °C	Operating temperature max.