



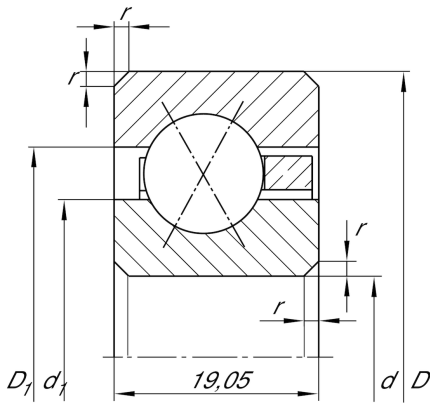
## CSXF090

### Four-point contact bearing

Schaeffler Kimliği:  
0010698880000

Four point contact bearing, Thin section  
bearing CSXF, brass sheet metal cage

### Teknik bilgiler



### Dimensions

$r_{min}$	2 mm	Minimum chamfer dimension
$d_1$	242,7 mm	Shoulder diameter inner ring
$D_1$	252,6 mm	Shoulder diameter outer ring
$\alpha$	30 °	Contact angle
	1,78 kg	Ağırlık

### Main Dimensions & Performance Data

$d$	228,6 mm	Bore diameter
$d$	9 inch	Bore diameter (Inch)
$D$	226,7 mm	Outside diameter
$B$	19,05 mm	Width
$C_r$	41.500 N	Basic dynamic load rating, radial
$C_{0r}$	76.000 N	Basic static load rating, radial
$n_G$	810 1/min	Limiting speed for grease lubrication
$n_G$	1.160 1/min	Limiting speed for oil lubrication

### Temperature range

$T_{min}$	-30 °C	Operating temperature min.
$T_{max}$	120 °C	Operating temperature max.