



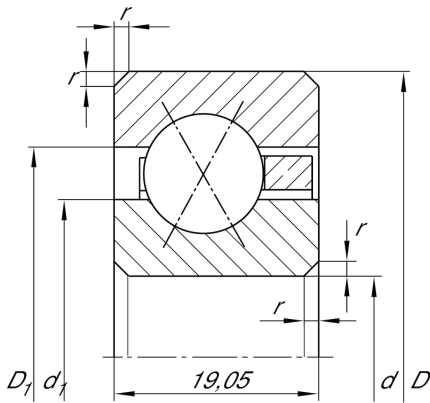
CSXF110

Four-point contact bearing

Schaeffler Kimliği:
0010256190000

Four point contact bearing, Thin section
bearing CSXF, brass sheet metal cage

Teknik bilgiler



Dimensions

| | | |
|-----------|----------|------------------------------|
| r_{min} | 2 mm | Minimum chamfer dimension |
| d_1 | 293,5 mm | Shoulder diameter inner ring |
| D_1 | 303,4 mm | Shoulder diameter outer ring |
| α | 30 ° | Contact angle |
| | 2,18 kg | Ağırlık |

Main Dimensions & Performance Data

| | | |
|----------|-----------|---------------------------------------|
| d | 279,4 mm | Bore diameter |
| d | 11 inch | Bore diameter (Inch) |
| D | 317,5 mm | Outside diameter |
| B | 19,05 mm | Width |
| C_r | 44.500 N | Basic dynamic load rating, radial |
| C_{0r} | 92.000 N | Basic static load rating, radial |
| n_G | 650 1/min | Limiting speed for grease lubrication |
| n_G | 920 1/min | Limiting speed for oil lubrication |

Temperature range

| | | |
|-----------|--------|----------------------------|
| T_{min} | -30 °C | Operating temperature min. |
| T_{max} | 120 °C | Operating temperature max. |