



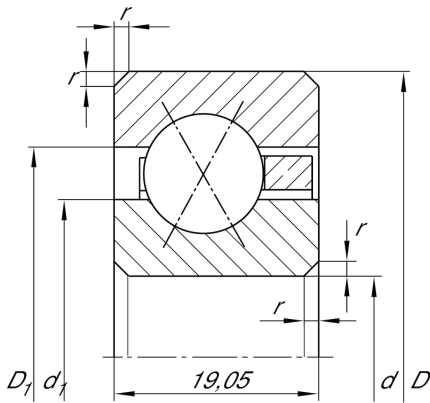
## CSXF140

### Four-point contact bearing

Schaeffler Kimliği:  
0077299790000

Four point contact bearing, Thin section bearing CSXF, brass sheet metal cage

### Teknik bilgiler



### Dimensions

$r_{min}$	2 mm	Minimum chamfer dimension
$d_1$	369,7 mm	Shoulder diameter inner ring
$D_1$	379,6 mm	Shoulder diameter outer ring
$\alpha$	30 °	Contact angle
	2,72 kg	Ağırlık

### Main Dimensions & Performance Data

$d$	355,6 mm	Bore diameter
$d$	14 inch	Bore diameter (Inch)
$D$	393,7 mm	Outside diameter
$B$	19,05 mm	Width
$C_r$	48.500 N	Basic dynamic load rating, radial
$C_{0r}$	116.000 N	Basic static load rating, radial
$n_G$	490 1/min	Limiting speed for grease lubrication
$n_G$	700 1/min	Limiting speed for oil lubrication

### Temperature range

$T_{min}$	-30 °C	Operating temperature min.
$T_{max}$	120 °C	Operating temperature max.