

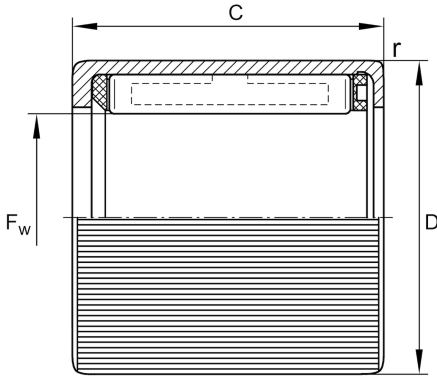
HF0612-R

Drawn cup roller clutch

Schaeffler Kimliği:
0567681410962

Drawn cup roller clutches HF..-R, with steel springs and knurled outer ring

Teknik bilgiler



Main Dimensions & Performance Data

F_w	6 mm	Under roller diameter
D	10 mm	Outside diameter
C	12 mm	Width, outer ring
r_{min}	0,3 mm	Minimum chamfer dimension
$M_{d\ per}$	0,6 Nm	Permissible torque
n_{GW}	23.000 1/min	Limiting speed for rotating shaft
n_{GA}	13.000 1/min	Limiting speed for rotating outer ring
	2,8 g	Ağırlık

Additional information

HK0608	Drawn cup needle roller bearings for radial bearing arrangement
--------	---

Temperature range

T_{min}	-10 °C	Operating temperature min.
T_{max}	70 °C	Operating temperature max.