

NKXR20-Z-XL

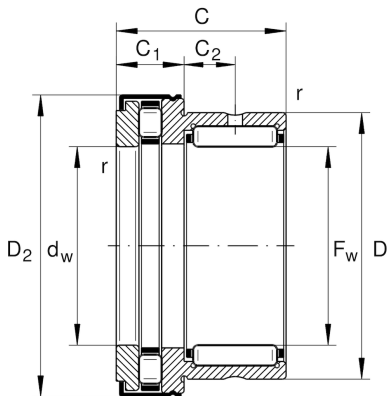
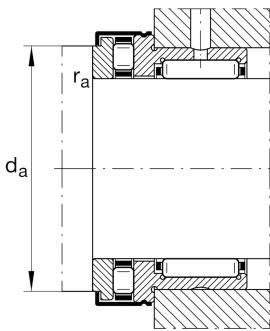
Needle roller/axial cylindrical roller bearing

Schaeffler Kimliği:
0507917880000

Needle roller/axial cylindrical roller bearings NKXR..-Z, axial component, single direction, to DIN 5429, with end cap, for grease lubrication

X-life

Teknik bilgiler



Dimensions

| | | |
|-------------|---------|--------------------------------------|
| $D_{1\max}$ | 36,2 mm | Maximum outside diameter flange |
| $D_{2\max}$ | 36,2 mm | Maximum outside diameter flange |
| C_1 | 10 mm | Width of the axial bearing component |
| C_2 | 10,5 mm | Distance to lubrication hole |
| d_w | 20 mm | Bore diameter of shaft washer |
| r_{\min} | 0,3 mm | Minimum chamfer dimension |
| | 84,04 g | Ağırlık |

Main Dimensions & Performance Data

| | | |
|----------|--------------|-----------------------------------|
| F_w | 20 mm | Bore diameter |
| D | 30 mm | Outside diameter |
| C | 30 mm | Height |
| C_r | 18.600 N | Basic dynamic load rating, radial |
| C_{0r} | 23.800 N | Basic static load rating, radial |
| C_a | 25.000 N | Basic dynamic load rating, axial |
| C_{0a} | 53.000 N | Basic static load rating, axial |
| C_{ur} | 4.200 N | Fatigue load limit, radial |
| C_{ua} | 7.500 N | Fatigue load limit, axial |
| n_G | 10.000 1/min | Limiting speed |
| n_{gr} | 4.200 1/min | Reference speed |

Mounting dimensions

| | | |
|-------------|---------|-----------------------------------|
| d_a | 30,7 mm | Mounting dimension shaft shoulder |
| $r_{a\max}$ | 0,3 mm | Maximum recess radius |

Additional information

IR17X20X20-XL

Suitable inner rings IR

Temperature range

| | | |
|------------------|--------|----------------------------|
| T _{min} | -30 °C | Operating temperature min. |
| T _{max} | 120 °C | Operating temperature max. |