

NKXR25-Z-XL

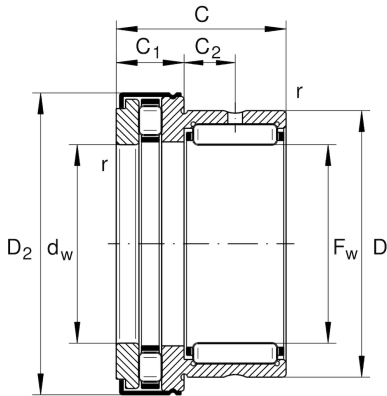
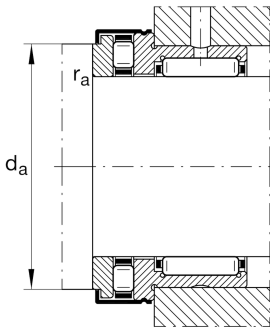
Needle roller/axial cylindrical roller bearing

Schaeffler Kimliği:
0507917960000

Needle roller/axial cylindrical roller bearings NKXR..-Z, axial component, single direction, to DIN 5429, with end cap, for grease lubrication

X-life

Teknik bilgiler



Dimensions

$D_{1\max}$	43,2 mm	Maximum outside diameter flange
$D_{2\max}$	43,2 mm	Maximum outside diameter flange
C_1	11 mm	Width of the axial bearing component
C_2	9,5 mm	Distance to lubrication hole
d_w	25 mm	Bore diameter of shaft washer
r_{\min}	0,6 mm	Minimum chamfer dimension
	126,21 g	Ağırlık

Main Dimensions & Performance Data

F_w	25 mm	Bore diameter
D	37 mm	Outside diameter
C	30 mm	Height
C_r	21.300 N	Basic dynamic load rating, radial
C_{0r}	30.500 N	Basic static load rating, radial
C_a	33.500 N	Basic dynamic load rating, axial
C_{0a}	76.000 N	Basic static load rating, axial
C_{ur}	5.400 N	Fatigue load limit, radial
C_{ua}	7.200 N	Fatigue load limit, axial
n_G	8.500 1/min	Limiting speed
n_{gr}	3.400 1/min	Reference speed

Mounting dimensions

d_a	37,7 mm	Mounting dimension shaft shoulder
$r_{a\max}$	0,6 mm	Maximum recess radius

Additional information

IR20X25X20-XL

Suitable inner rings IR

Temperature range

T _{min}	-30 °C	Operating temperature min.
T _{max}	120 °C	Operating temperature max.