

NX10-XL

Needle roller/axial ball bearing

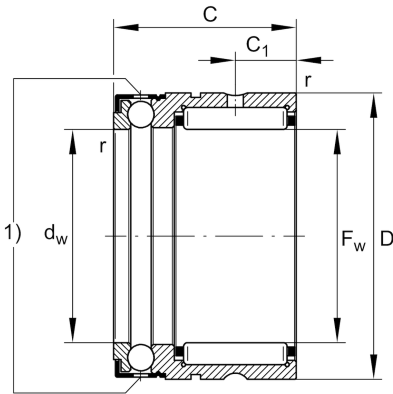
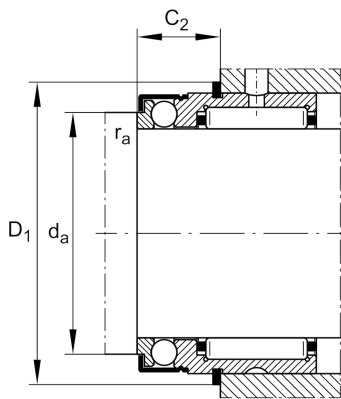
Schaeffler Kimliği:
0507785520000

Needle roller/axial ball bearings NX,
single direction axial component, for oil
lubrication

X-life

Teknik bilgiler

2)



Dimensions

C_1	4,7 mm	Distance to lubrication hole
C_2	4,7 mm	Distance to lubrication hole
d_w	10 mm	Bore diameter of shaft washer
r_{min}	0,3 mm	Minimum chamfer dimension
	21,04 g	Ağırlık

Main Dimensions & Performance Data

F_w	10 mm	Bore diameter
D	19 mm	Outside diameter
C	18 mm	Height
C_r	5.000 N	Basic dynamic load rating, radial
C_{0r}	3.700 N	Basic static load rating, radial
C_a	4.600 N	Basic dynamic load rating, axial
C_{0a}	7.200 N	Basic static load rating, axial
C_{ur}	730 N	Fatigue load limit, radial
C_{ua}	330 N	Fatigue load limit, axial
n_G	11.000 1/min	Limiting speed

Mounting dimensions

d_a	14,6 mm	Mounting dimension shaft shoulder
$r_{a max}$	0,3 mm	Maximum recess radius
D_1	21,9 mm	Connection diameter snap ring
C_2	10 mm	Connection width with snap ring

Additional information

IR6X10X10-IS1-XL	Suitable inner rings IR
WR19, SW19	Snap ring

Temperature range

T _{min}	-30 °C	Operating temperature min.
T _{max}	120 °C	Operating temperature max.