**NX20-XL**

Needle roller/axial ball bearing

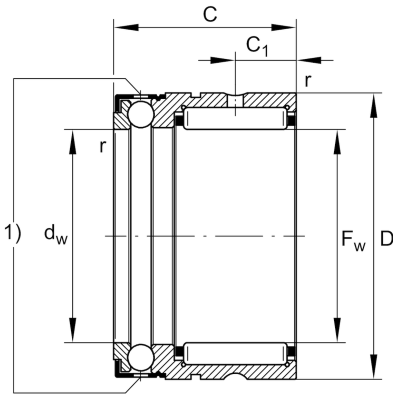
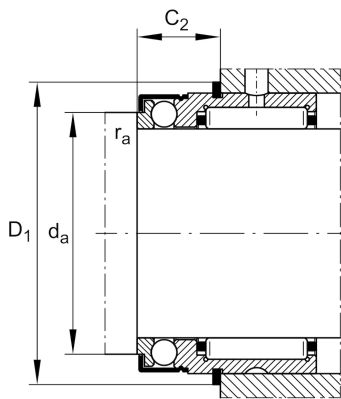
Schaeffler Kimliği:
0507785950000

Needle roller/axial ball bearings NX,
single direction axial component, for oil
lubrication

X-life

Teknik bilgiler

2)

**Dimensions**

| | | |
|-----------|---------|-------------------------------|
| C_1 | 8 mm | Distance to lubrication hole |
| C_2 | 8 mm | Distance to lubrication hole |
| d_w | 20 mm | Bore diameter of shaft washer |
| r_{min} | 0,3 mm | Minimum chamfer dimension |
| | 66,75 g | Ağırlık |

Main Dimensions & Performance Data

| | | |
|----------|-------------|-----------------------------------|
| F_w | 20 mm | Bore diameter |
| D | 30 mm | Outside diameter |
| C | 28 mm | Height |
| C_r | 14.600 N | Basic dynamic load rating, radial |
| C_{0r} | 17.500 N | Basic static load rating, radial |
| C_a | 7.000 N | Basic dynamic load rating, axial |
| C_{0a} | 14.700 N | Basic static load rating, axial |
| C_{ur} | 3.300 N | Fatigue load limit, radial |
| C_{ua} | 670 N | Fatigue load limit, axial |
| n_G | 6.500 1/min | Limiting speed |

Mounting dimensions

| | | |
|--------------|---------|-----------------------------------|
| d_a | 25 mm | Mounting dimension shaft shoulder |
| $r_{a\ max}$ | 0,3 mm | Maximum recess radius |
| D_1 | 33,6 mm | Connection diameter snap ring |
| C_2 | 12,2 mm | Connection width with snap ring |

Additional information

| | |
|---------------|-------------------------|
| IR17X20X16-XL | Suitable inner rings IR |
| WR30, SW30 | Snap ring |

Temperature range

| | | |
|------------------|--------|----------------------------|
| T _{min} | -30 °C | Operating temperature min. |
| T _{max} | 120 °C | Operating temperature max. |