

NX30-XL

Needle roller/axial ball bearing

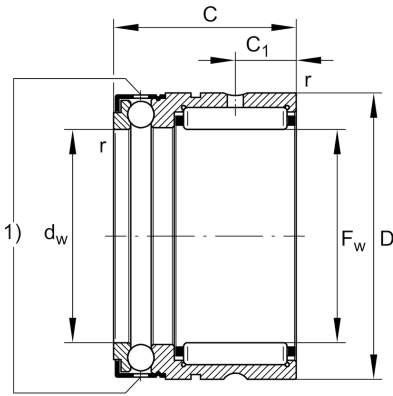
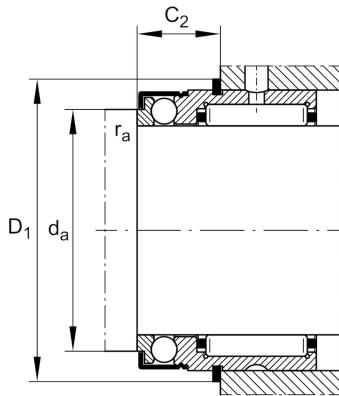
Schaeffler Kimliği:
0507786170000

Needle roller/axial ball bearings NX,
single direction axial component, for oil
lubrication

X-life

Teknik bilgiler

2)



Dimensions

| | | |
|-----------|----------|-------------------------------|
| C_1 | 10 mm | Distance to lubrication hole |
| C_2 | 10 mm | Distance to lubrication hole |
| d_w | 30 mm | Bore diameter of shaft washer |
| r_{min} | 0,3 mm | Minimum chamfer dimension |
| | 120,39 g | Ağırlık |

Main Dimensions & Performance Data

| | | |
|----------|-------------|-----------------------------------|
| F_w | 30 mm | Bore diameter |
| D | 42 mm | Outside diameter |
| C | 30 mm | Height |
| C_r | 25.500 N | Basic dynamic load rating, radial |
| C_{0r} | 36.000 N | Basic static load rating, radial |
| C_a | 11.700 N | Basic dynamic load rating, axial |
| C_{0a} | 28.000 N | Basic static load rating, axial |
| C_{ur} | 6.400 N | Fatigue load limit, radial |
| C_{ua} | 1.270 N | Fatigue load limit, axial |
| n_G | 4.300 1/min | Limiting speed |

Mounting dimensions

| | | |
|--------------|---------|-----------------------------------|
| d_a | 36,5 mm | Mounting dimension shaft shoulder |
| $r_{a\ max}$ | 0,3 mm | Maximum recess radius |
| D_1 | 45,1 mm | Connection diameter snap ring |
| C_2 | 14,2 mm | Connection width with snap ring |

Additional information

| | |
|---------------|-------------------------|
| IR25X30X20-XL | Suitable inner rings IR |
| WR42, SW42 | Snap ring |

Temperature range

| | | |
|------------------|--------|----------------------------|
| T _{min} | -30 °C | Operating temperature min. |
| T _{max} | 120 °C | Operating temperature max. |