

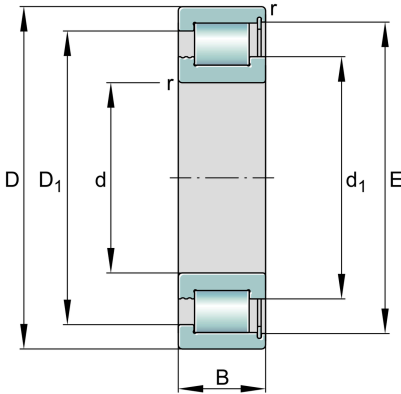
SL181844

Cylindrical roller bearing

Schaeffler Kimliği:
0011965100000

Cylindrical roller bearing SL1818..-A, full complement roller set, single row, semi-locating bearing, 1 rib on outer ring, 2 ribs on inner ring, type SL18

Teknik bilgiler

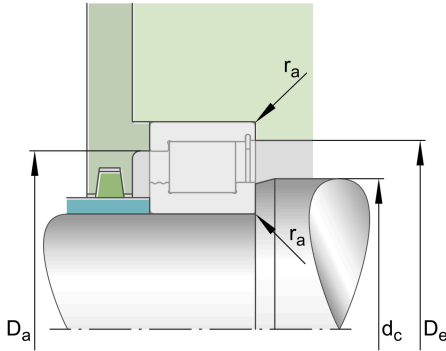


Dimensions

r_{min}	1,5 mm	Minimum chamfer dimension
s	2 mm	Axial displacement
d_1	237 mm	Maximum rib diameter inner ring
D_{1min}	252,3 mm	Minimum rib diameter outer ring
E	258,5 mm	Raceway diameter outer ring
	2,735 kg	Ağırlık

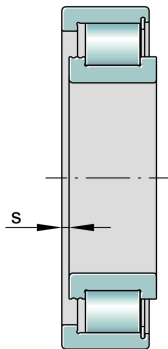
Main Dimensions & Performance Data

d	220 mm	Bore diameter
D	270 mm	Outside diameter
B	24 mm	Width
C_r	187.000 N	Basic dynamic load rating, radial
C_{0r}	350.000 N	Basic static load rating, radial
C_{ur}	36.500 N	Fatigue load limit, radial
n_G	1.290 1/min	Limiting speed
n_{gr}	940 1/min	Reference speed



Mounting dimensions

d_{amin}	237 mm	Minimum diameter shaft shoulder
d_{cmin}	237 mm	Minimum shaft shoulder
D_{amax}	252 mm	Maximum diameter of housing shoulder
D_{emin}	258,5 mm	Minimum diameter of housing shoulder
r_{amax}	1,5 mm	Maximum recess radius



Temperature range

T_{min}	-30 °C	Operating temperature min.
T_{max}	120 °C	Operating temperature max.