

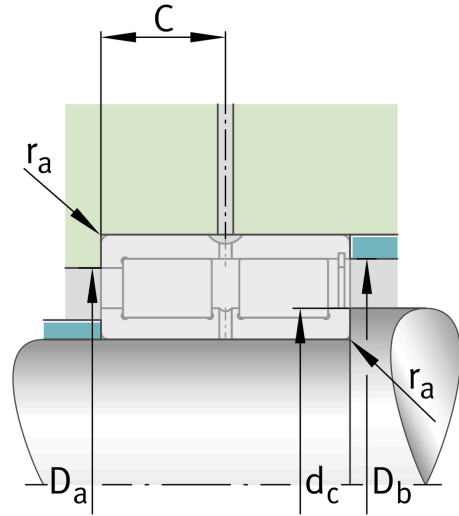
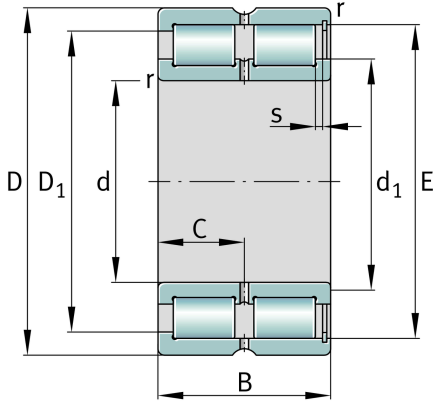
SL185032

Cylindrical roller bearing

Schaeffler Kimliği:
0002708900000

Cylindrical roller bearing SL1850..-A, full complement roller set, two-row, semi-locating bearing, 1 rib on outer ring, 3 ribs on inner ring, type SL18

Teknik bilgiler



Dimensions

r_{\min}	2,1 mm	Minimum chamfer dimension
$r_{1\min}$	2,1 mm	Minimum chamfer dimension
s	6 mm	Axial displacement
C	54,5 mm	Distance to lubrication hole
d_1	184,8 mm	Maximum rib diameter inner ring
$D_{1\min}$	215,8 mm	Minimum rib diameter outer ring
E	224,8 mm	Raceway diameter outer ring
	16,624 kg	Ağırlık

Main Dimensions & Performance Data

d	160 mm	Bore diameter
D	240 mm	Outside diameter
B	109 mm	Width
C_r	930.000 N	Basic dynamic load rating, radial
C_{0r}	1.610.000 N	Basic static load rating, radial
C_{ur}	210.000 N	Fatigue load limit, radial
n_G	1.600 1/min	Limiting speed
n_{gr}	1.030 1/min	Reference speed

Mounting dimensions

$d_{c\min}$	184,5 mm	Minimum shaft shoulder
$d_{a\min}$	184,8 mm	Minimum diameter shaft shoulder
$D_{a\max}$	216 mm	Maximum diameter of housing shoulder
$r_{a\max}$	2,1 mm	Maximum recess radius
$r_{a1\max}$	2,1 mm	Maximum recess radius
$D_{e\min}$	215,8 mm	Minimum diameter of housing shoulder

Temperature range

T_{\min}	-30 °C	Operating temperature min.
T_{\max}	120 °C	Operating temperature max.