

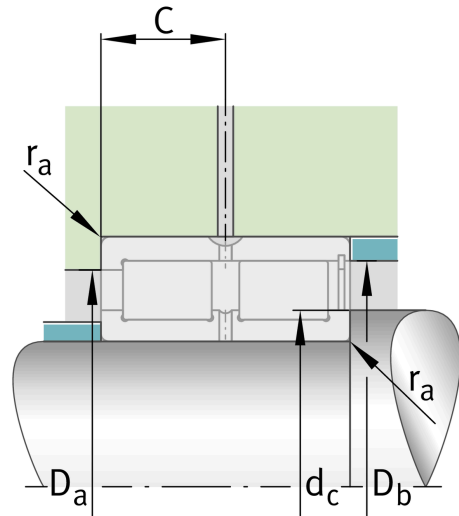
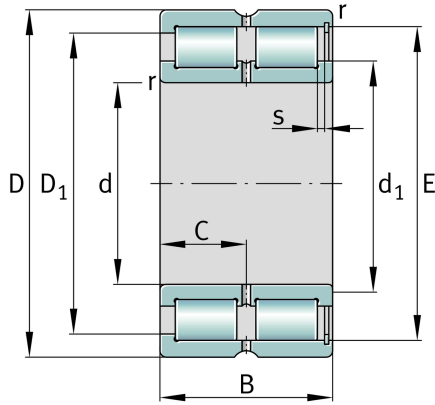
SL185034

Cylindrical roller bearing

Schaeffler Kimliği:
0002711100000

Cylindrical roller bearing SL1850..-A, full complement roller set, two-row, semi-locating bearing, 1 rib on outer ring, 3 ribs on inner ring, type SL18

Teknik bilgiler



Dimensions

| | | |
|-------------|----------|---------------------------------|
| r_{\min} | 2,1 mm | Minimum chamfer dimension |
| $r_{1\min}$ | 2,1 mm | Minimum chamfer dimension |
| s | 6 mm | Axial displacement |
| C | 61 mm | Distance to lubrication hole |
| d_1 | 198,1 mm | Maximum rib diameter inner ring |
| $D_{1\min}$ | 232,7 mm | Minimum rib diameter outer ring |
| E | 242,9 mm | Raceway diameter outer ring |
| | 22,5 kg | Ağırlık |

Main Dimensions & Performance Data

| | | |
|----------|-------------|-----------------------------------|
| d | 170 mm | Bore diameter |
| D | 260 mm | Outside diameter |
| B | 122 mm | Width |
| C_r | 1.200.000 N | Basic dynamic load rating, radial |
| C_{0r} | 2.110.000 N | Basic static load rating, radial |
| C_{ur} | 270.000 N | Fatigue load limit, radial |
| n_G | 1.480 1/min | Limiting speed |
| n_{gr} | 900 1/min | Reference speed |

Mounting dimensions

| | | |
|--------------|----------|--------------------------------------|
| $d_{c\min}$ | 198 mm | Minimum shaft shoulder |
| $d_{a\min}$ | 198,1 mm | Minimum diameter shaft shoulder |
| $D_{a\max}$ | 233 mm | Maximum diameter of housing shoulder |
| $r_{a\max}$ | 2,1 mm | Maximum recess radius |
| $r_{a1\max}$ | 2,1 mm | Maximum recess radius |
| $D_{e\min}$ | 232,7 mm | Minimum diameter of housing shoulder |

Temperature range

| | | |
|------------|--------|----------------------------|
| T_{\min} | -30 °C | Operating temperature min. |
| T_{\max} | 120 °C | Operating temperature max. |