

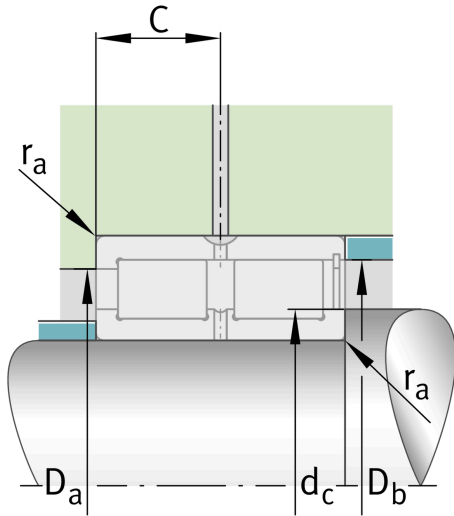
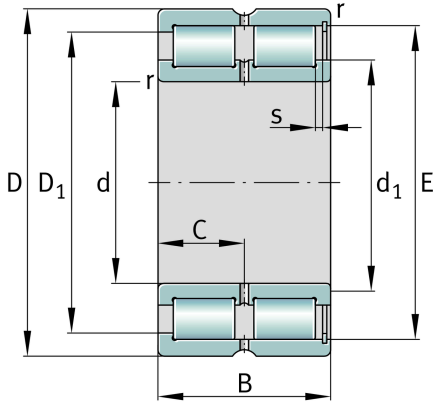
## SL185060-TB

### Cylindrical roller bearing

Schaeffler Kimliği:  
 \${ctx.productData.sapMaterialNumber}

Cylindrical roller bearing SL1850..-TB, full complement roller set, two-row, semi-locating bearing, 1 rib on outer ring, 3 ribs on inner ring, type SL18

### Teknik bilgiler



### Dimensions

$r_{min}$	4 mm	Minimum chamfer dimension
$r_{1min}$	4 mm	Minimum chamfer dimension
s	12,5 mm	Axial displacement
C	109 mm	Distance to lubrication hole
$d_1$	353,6 mm	Maximum rib diameter inner ring
$D_{1min}$	413,6 mm	Minimum rib diameter outer ring
E	433,6 mm	Raceway diameter outer ring
	124 kg	Ağırlık

### Main Dimensions & Performance Data

d	300 mm	Bore diameter
D	460 mm	Outside diameter
B	218 mm	Width
$C_r$	3.450.000 N	Basic dynamic load rating, radial
$C_{0r}$	6.600.000 N	Basic static load rating, radial
$C_{ur}$	670.000 N	Fatigue load limit, radial
$n_G$	800 1/min	Limiting speed
$n_{gr}$	395 1/min	Reference speed

### Mounting dimensions

$d_{cmin}$	353,5 mm	Minimum shaft shoulder
$d_{amin}$	353,6 mm	Minimum diameter shaft shoulder
$D_{amax}$	414 mm	Maximum diameter of housing shoulder
$r_{amax}$	4 mm	Maximum recess radius
$D_{emin}$	413,6 mm	Minimum diameter of housing shoulder

### Temperature range

$T_{min}$	-30 °C	Operating temperature min.
$T_{max}$	120 °C	Operating temperature max.